

Electric Shower Trolley

User Manual



4healthcare.com.au • sales@4healthcare.com.au • 6 Welsh Place Landsdale WA 6065 • 9302 4757

Contents

Warranty	3
Safety Precautions	4
Specifications	5
Terminology	6
Operation.....	6-9
Safety & Battery Charging.....	9
Cleaning.....	11
Maintenance.....	11
Fault Finding	12
Spare Parts	13



Warranty

4Healthcare warrants that its products are free from defects in workmanship, materials and will repair/replace defective components (excluding batteries) from the date of the manufacture of the product.

All service and repairs must be carried out by a certified 4Healthcare trained technician. 4Healthcare will not be responsible for any expenses, inconvenience or incidental damages occasioned by the use, or misuse of the products, or by the failure of the products to conform to the warranty set forth.

This warranty becomes void if the product shows evidence of the mishandling, tampering, installation or use contrary to the application, shipping damage, or repair performed by other than a service personnel authorised by 4Healthcare.

Routine cleaning, adjustment and normal cosmetic and mechanical wear are not covered by this warranty. Prompt and written notice is required for a warranty claim.

Note: Batteries are not covered under this warranty as their life is mostly dependent on the operator ensuring continual and regular charging.

No part of this publication may be reproduced without the prior written permission of 4Healthcare Pty Ltd.



Safety Precautions

Only qualified staff who understand all operating and safety procedures may operate the equipment.

Always physically check water temperature before and during showering.

The patient must be positioned comfortable on the stretcher mattress, with side rails SECURELY locked.

Never leave patient unattended.

Do not let patient sit on ends of stretcher.

Castor brakes must be securely locked on the trolley before transferring a patient and once in position prior to showering.

Operate the trolley carefully when transporting patients through narrow corridors or over regular uneven surfaces.

Wipe under stretcher to prevent water dripping on the floor. Equipment must be clean after each use.

Never store items under the trolley platform.

When lowering, ensure the area below is clear from obstruction.

The MAX USER WEIGHT IS 150KG

If you experience any difficulties, please contact our customer service helpline

Phone 9302 4757



Specifications

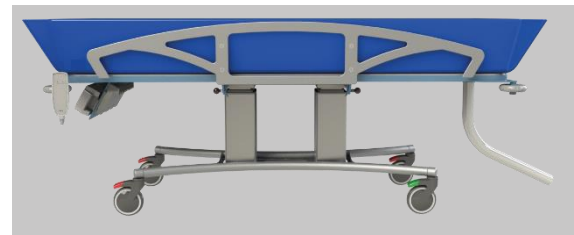
Trolley Max. Height (Platform)	1000mm
Trolley Min. Height (Platform)	600mm
Trolley Overall Length.....	1890mm
Trolley Overall Width	730mm
Trolley Mass	74kg
Safe Working Load.....	150kg
Maximum Tub Depth	200mm
Tub Length (Internal)	1850mm
Tub Width (Internal).....	700mm
Tilt/Drain	8Deg
Power Source	Rechargeable Battery
	24V DC
	2.9Ah
	IPX5
Battery Charger Input.....	110 or 240 VAC
	650mA
Battery Charge Time	4 Hours
Time to raise trolley from low to height max	25 sec
Time to lower trolley from low to height max	25 sec

Standard features:

- Linak (IPX5 & IPX6) Approved to EN60601
- Remote handset
- Large 50mm Dia drain hose - adjustable in length
- 3 x 125 Diameter wheel maintenance free castors - total lock
- 1 x 125 Diameter directional lock
- Push handle both ends
- Corner buffers
- Water proof pillow
- Drop side rails for side transfer

Construction:

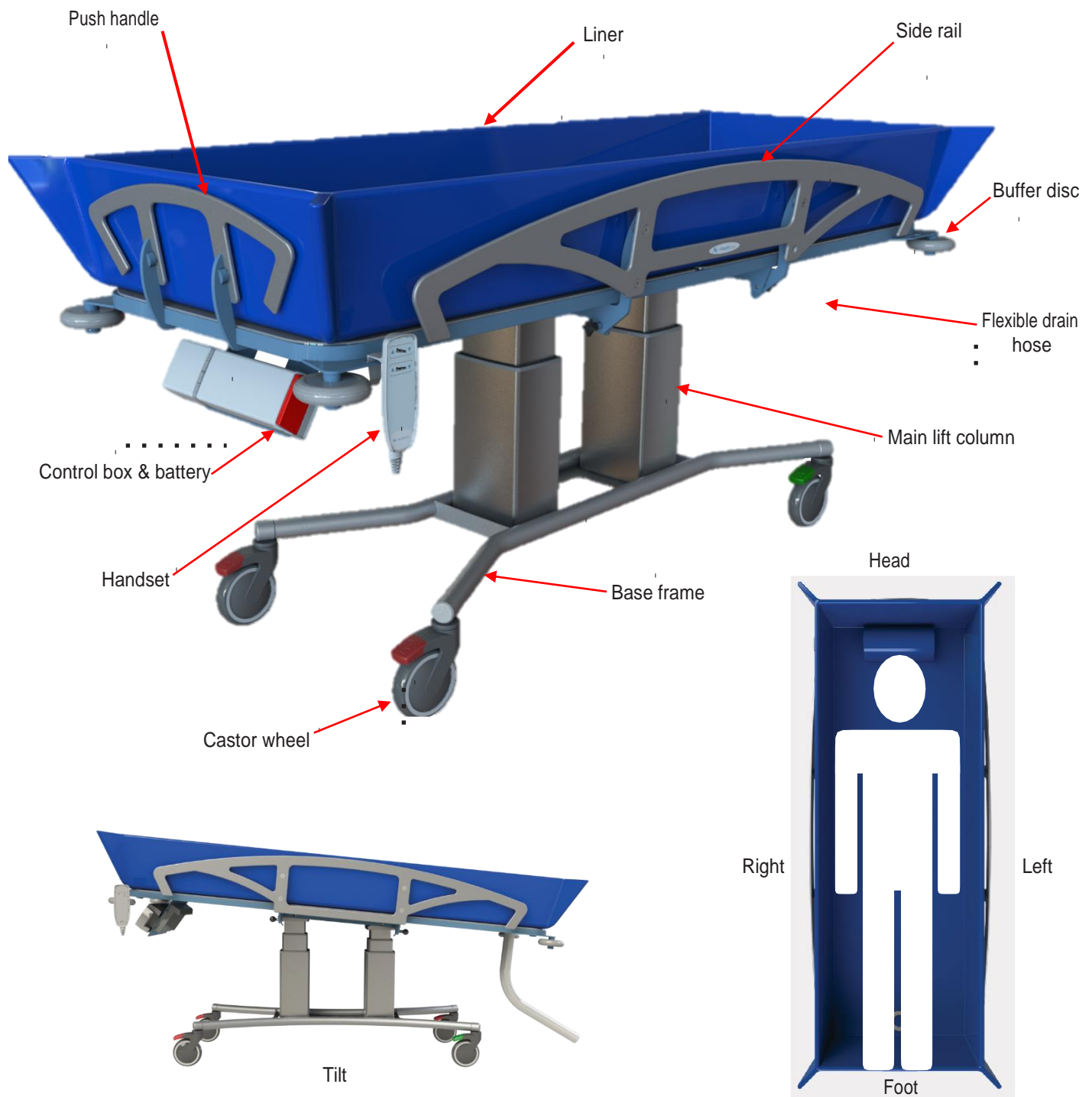
- PVC
- 5083 Alloy
- Stainless Steel
- Mild steel - pre zinc treated



Operation

The shower trolley is user friendly to operate. However, before use, please read the following instructions carefully.

Shower trolleys are generally used to assist patients requiring a reclined / lying position during the washing and showering operation. During the use there must be at least one person present who has received instruction in the use of the shower trolley.



Operation

Handset Operation:

The 4H400E electric shower trolley utilises the latest in electronic technology. This ergonomic handset whilst designed for use in wet area can not be submerged. Please locate handset back to bracket provided on trolley frame as shown to avoid excess water damage, dropping handset or accidental operation of handset whilst assisting patient.

High / Low Operation:

The raise button is denoted by the up arrow (1) as shown on the handset. Depress this button to raise the trolley to the desired working platform height. The total platform movement is 400mm from its lowest position.

To lower the height of the platform, depress the opposite button (2) indicated by the down arrow.

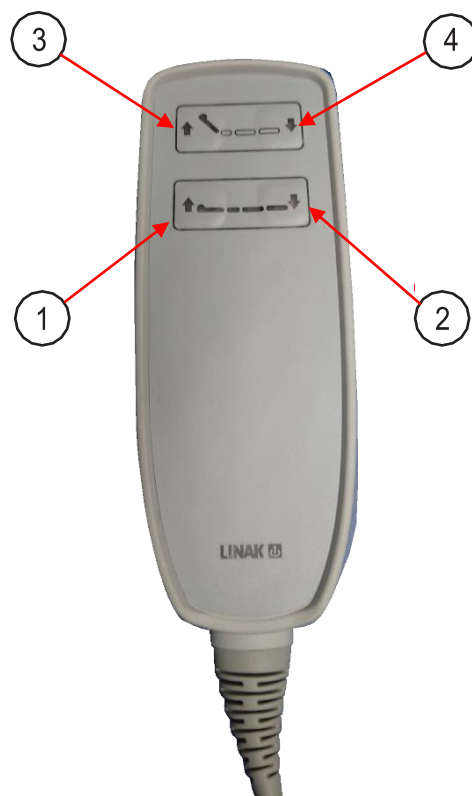
Trendelenburg / Tilt:

The 4H400E Shower trolley has an electric tilt and drain feature. This has been designed for both draining the trolley and may assist comfort for the patient during bathing.

WARNING: Be careful using the tilt function since there is a risk the patient may slip downwards during operation.

To tilt, raise the head section depress (3) up arrow as shown. This will raise the head section up by 35mm or 8 degrees.

To level the platform, depress (4) down arrow as shown. This will lower the head section to level.



High Position



Low Position



Drain

Operation

Side Rail Operation:

The 4H400E shower trolley comes with folding ergonomic side rails for easy transfer from both sides.

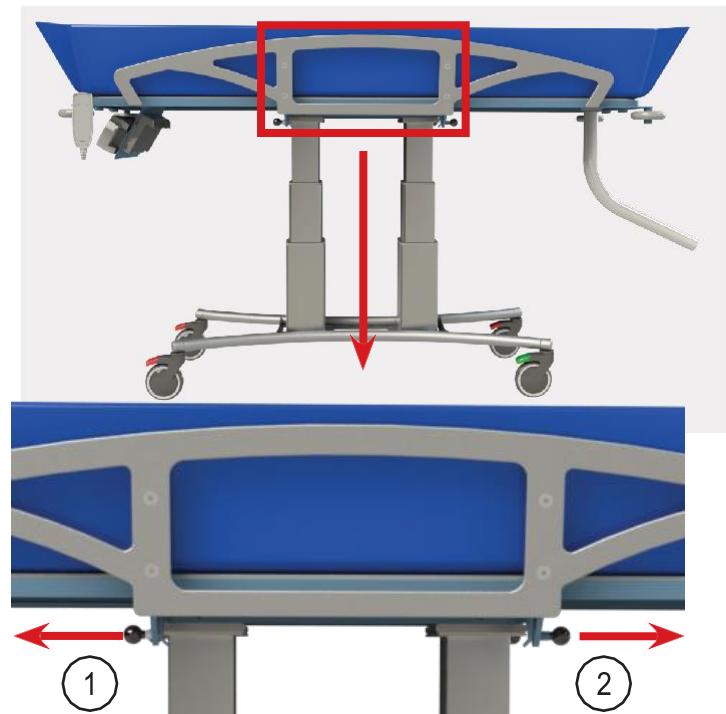
Care must be taken when operating the side rails, ensure that they are fully engaged when the trolley is in use.

Before disengaging side rails, ensure that castors are locked.

The side can be lowered as shown by pulling release knobs (1) & (2) outwards until the rail disengages.

Slowly lower the rail down as shown.

To engage rail, simply lift and the rail will self locate in position. Ensure that you hear a click sound and apply reasonably lateral force to the rail to ensure that the locking pins have engaged correctly.



Operation

Safety Functions:

Emergency stop: This function should only be used in an emergency. Push the button in to stop all functions. This emergency button is not a contact to switch it on/off. It must always be “on”.

The emergency button can be released by removing the battery, to remove the battery push the two grey buttons located on both sides on the battery.

Battery Charging:

The shower trolley is equipped with a rechargeable Li-ion battery that requires charging.

4Healthcare recommends that the battery is charged when the shower trolley is not in use.

Below shows how to engage and disengage the battery. Plug the charger into a 240V supply.

Clip the battery onto the charging dock as shown. The green charge light will come on and flash to indicate charging is in progress.

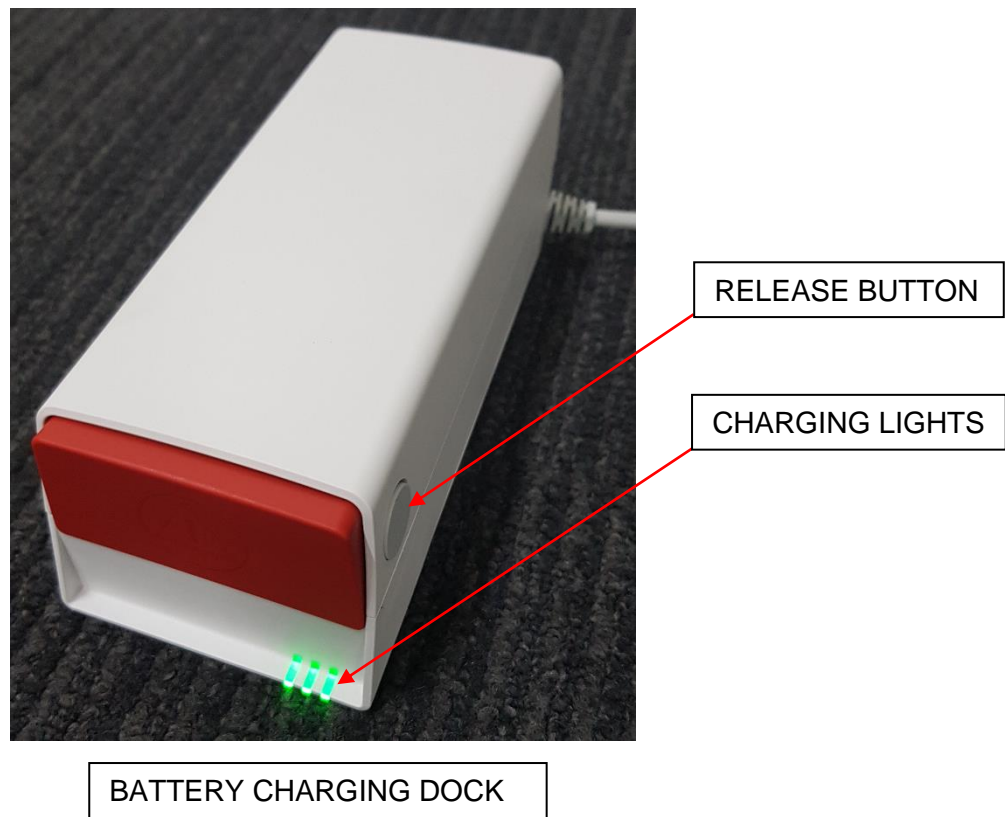
Three solid green lights on the charger indicate a fully charged battery.

The lights will stop flashing when the battery is fully charged, maximum charge time is 4 hours.

It is recommended to charge the battery overnight. The charger will turn off when the battery is fully charged.

The trolley comes with a battery charging dock, it has holes in the housing so it can be mounted on a wall.

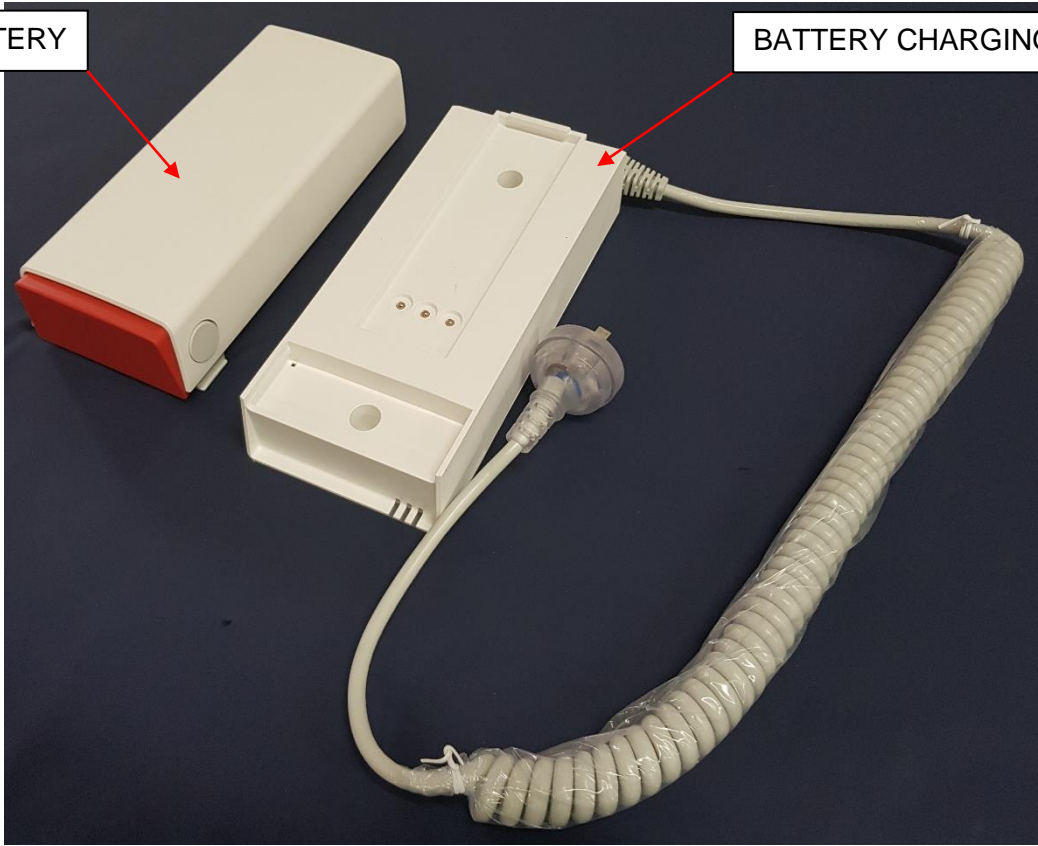
Ideally the charger should be kept away from the bathroom and placed in a cool and dry location.





RE-CHARGABLE BATTERY

BATTERY CHARGING DOCK



BATTERY CHARGE LEVEL INDICATOR

HI/LOW OPERATING BUTTONS

EMERGENCY STOP BUTTON



EMERGENCY STOP LIGHT INDICATOR. ORANGE LIGHTS WILL COME ON WHEN EMERGENCY STOP BUTTON IS ACTIVATED

RELEASE BUTTON

BATTERY FITTED TO CONTROL BOX ON SHOWER TROLLEY



Cleaning & Maintenance

Cleaning:

The 4H400E shower trolley can be cleaned with a mild detergent or a diluted solution of sodium hypochlorite using a soft cloth or sponge.

Always flush the surfaces with fresh water after cleaning.

Avoid spraying directly at electrical components.

Maintenance

Visual check all components for dents, scratches, or any other signs of mechanical damage.

Castors

Check castors roll freely

Lock castors and check that they do not roll

Ensure that they are quiet in operation

Electrical

Check that the battery engages and disengages correctly

Check terminals on battery and control box

Check handset for visual signs of damage

Check handset operation and cable

Check trolley raises and lowers fully

Check tilt operation

Side Rails

Check side rail operation

Check both locking pins are smooth in operation and fully engage when locked

Shake rail and check all hinge points



Fault Finding

1. FAULT

Trolley does not respond to input from the handset. No audible beeps from control box when buttons are pressed.

Fix

Step 1

Check that the EMERGENCY STOP button is not 'on'.

Step 2

Check that the battery is charged.

Step 3

Check that all the cables are plugged in correctly.

2. FAULT

Trolley does not respond to input from the handset. Audible beeps from control box when buttons are pressed.

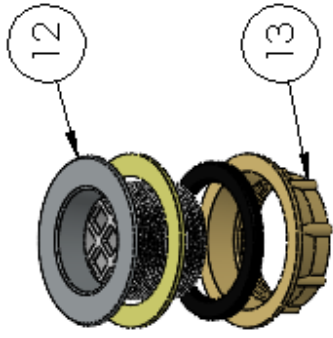
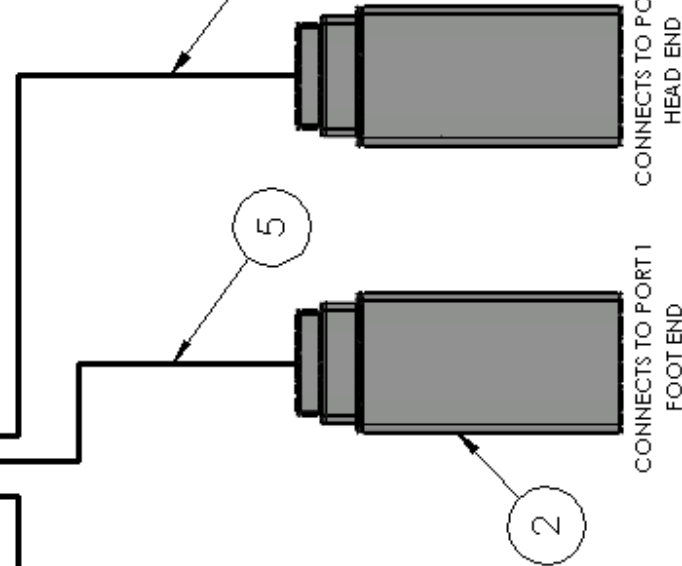
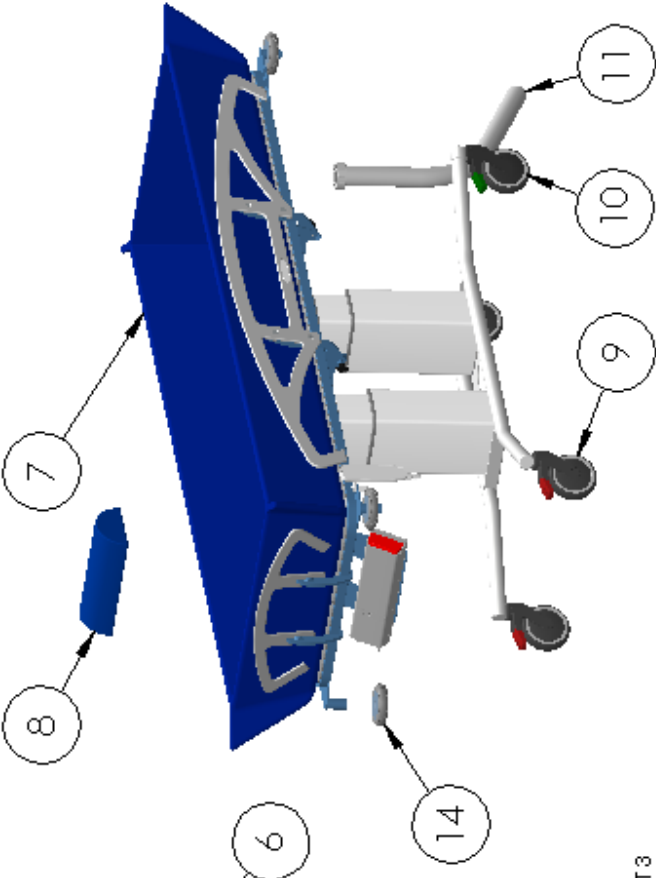
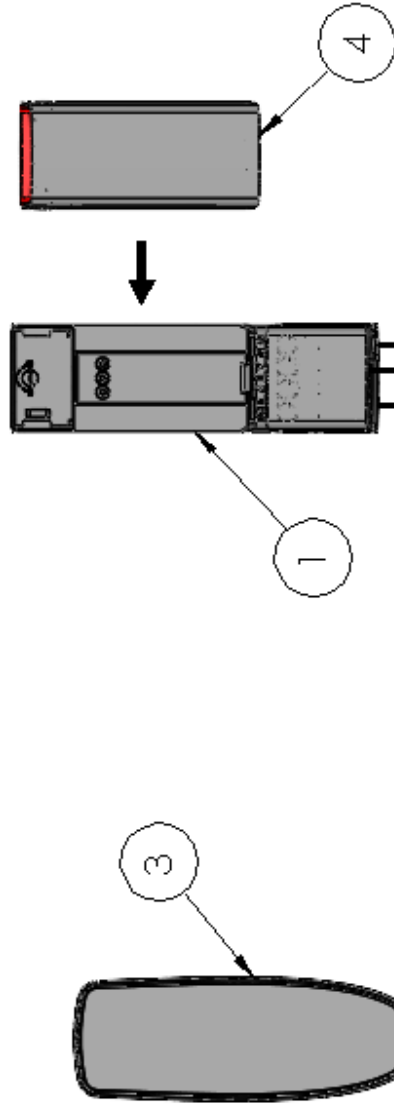
NOTE: Battery must be fully charged before attempting the following procedures.

Fix

Step 1

Perform an ERROR RESET. Simultaneously press and hold the number 2 button until the intermittent beeping stops. If this does not fix the problem contact your service provider or 4Healthcare for directions.

ITEM NO.	PART NUMBER	DESCRIPTION	QTY.
1	400COL50	CONTROL BOX	1
2	M8LC	LIFTING COLUMN	2
3	400HS	HANDSET	1
4	400BAL50	BATTERY	1
5	400COLC-1700	COLUMN CABLE 1700mm LONG	2
6	400COLC-1100	COLUMN CABLE 1100mm LONG	2
7	4S400SL	SHOWER LINER COMPLETE	1
8	4H400SP	SHOWER PILLOW	1
9	CB125PS	Ø125 CASTOR BRAKING PLASTIC-SS	3
10	CD125P	Ø125 CASTOR DIRECTIONAL PLASTIC	1
11	400DP	DRAIN PIPE	1
12	400WP	WASTE, PLUG AND WASHER	1
13	400N	FLANGED NUT (BRASS) AND SPACER	1
14	RBUFFER	ROUND BUFFER	4



DRAIN KIT WASTE EXTENSION

DRAWN	DESCRIPTION	DATE	REV
JB	FIRST ISSUE	21/07/2018	1
JB	CABLES & DRAIN KIT ADDED	17/06/2021	2
JB	ELECTRICS CHANGED TO 1PHSD	17/03/2022	3

4Healthcare 6 Welsh Place Llandale, G66 6P P:9302 4757 F:9302 4524		TITLE: 4H400E SPARE PARTS LAYOUT
MATERIAL: THICKNESS: PROCESS: SPARE PARTS		DWG NO.: 4H400E - SPL1
DO NOT SCALE DRAWING		SHEET 1 OF 1
REVISION 3		A4

